

Wafer Type Butterfly Valve

2", 2½", 3", 4" & 6"

This versatile and easy-to-install wafer type butterfly valves are designed for various water management applications. Its lightweight one-piece body and efficient disc design ensures low operational torque and drip tight sealing; making it ideal for piping systems with limited space.



HIGHLIGHTS

- **Lightweight Construction:** PVC one-piece body for easy installation and durability.
- **Disc Design:** Engineered to ensure low operational torque drip tight sealing.
- **Connections:** Available with threaded socket (BSP/NPT) and solvent joint.
- **Seal:** High performance EPDM rubber seal with wide disc seating contact for perfect sealing.
- **Full Seat Design:** Eliminates the need of additional gaskets ensuring easy installation and maintenance.

APPLICATIONS

- **Irrigation Systems:** Perfect for efficiently controlling water flow in agriculture and landscaping.
- **Industrial Use:** Suitable for industrial water management and aquaculture systems.
- **Municipal Water Distribution:** Reliable control for urban water supply networks.
- **Recreational Use:** Applicable for swimming pools and water parks.

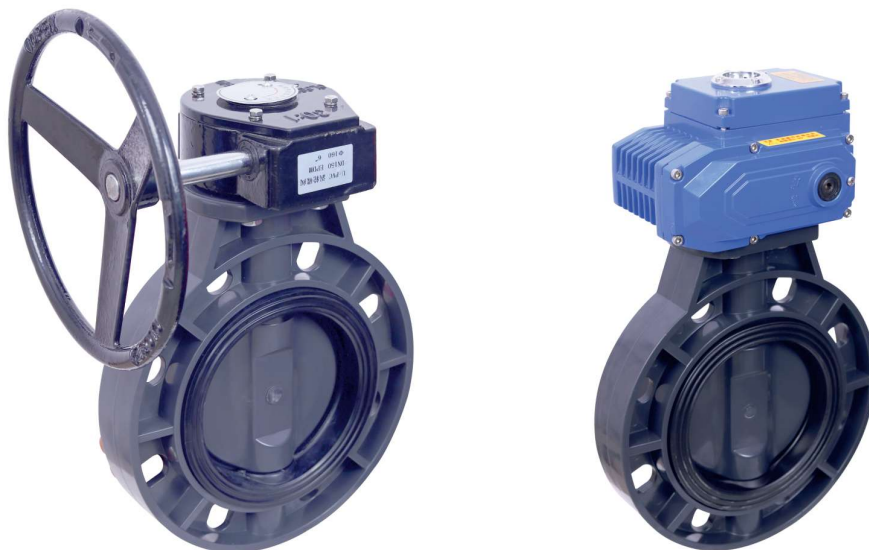


Technical Data

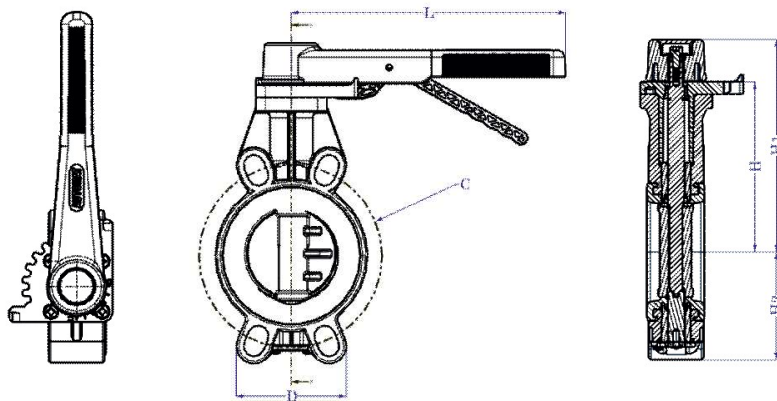
Model No	Premium Butterfly valve					Classic Butterfly valve			
	81	82	83	84	85*	81C	82C	83C	84C
Inlet /Outlet Connection	2" (50 mm)	2½"(65 mm)	3" (80 mm)	4" (100 mm)	*6" (150 mm)	2" (50 mm)	2½" (65 mm)	3" (80 mm)	4" (100 mm)
Maximum Working Pressure	BAR	10				6			
	PSI	145				85			
Temperature Range	°C	5° C to 50°C							
	°F	23° F to 122° F							
Connection	Operation Type	Wafer Type Lever Operated							
	Standard	Universal (Note- Available Connection -Threaded Socket -BSP/NPT & Solvent Joint)							
Disc	Metal			Plastic		Plastic			
Material of Constructions	PVC					PVC			

Butterfly Valve Opening & Closing Torque						
Size		At No Load		At 10 bar (150 PSI) Pressure		Required Torque as per ISO Declaration
In.	DN (mm)	Opening torque	Closing torque	Opening torque	Closing torque	Closing torque
		(Unit- NM)		(Unit- NM)		(Unit- NM)
2"	50	5	5.3	6	7	11
2½"	63	5.3	5.5	9	11	20
3"	90	6	6	9	12	30
4"	110	12	18	12	24	For higher sizes manufacturer decide himself
6"	150	13	34	14	50	

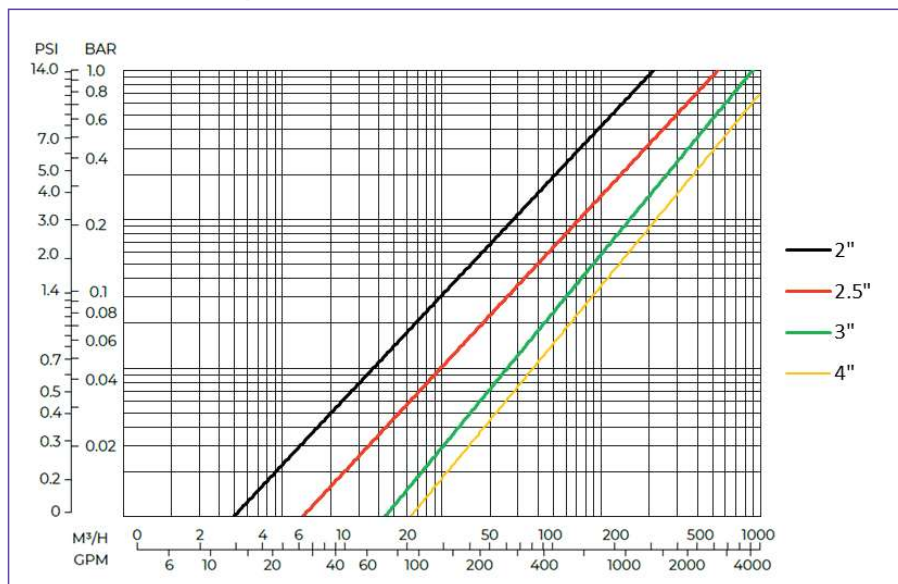
*Also available with electrical actuator and manual gear box driven with hand wheel.



Product Dimensions						
Model		81/81C	82/82C	83/83C	84/84C	85
D	CM	11.7	11.2	12.8	16.2	28.2
	INCH	4 ^{39/64}	4 ^{13/32}	5 ^{3/64}	6 ^{3/8}	11 ^{7/64}
H1	CM	13	13.7	14.4	15.4	20
	INCH	5 ^{1/8}	5 ^{25/64}	5 ^{43/64}	6 ^{1/16}	7 ^{7/8}
H2	CM	7.1	8.4	9.1	10.6	13.7
	INCH	2 ^{51/64}	3 ^{5/16}	3 ^{37/64}	4 ^{11/64}	5 ^{25/64}
H	CM	16.5	17.5	18	19.7	25
	INCH	6 ^{1/2}	6 ^{57/64}	7 ^{3/32}	7 ^{3/4}	9 ^{27/32}
L	CM	22.9		27.9		32.7
	INCH	9 ^{1/64}		10 ^{63/64}		12 ^{7/8}
C (PCD)	CM	12.1	13.8	15.6	18.3	23.4
	INCH	4 ^{49/64}	5 ^{7/16}	6 ^{9/64}	7 ^{13/64}	9 ^{7/32}
Face to Face	CM	4.6		6		5.9
	INCH	1 ^{13/16}		2 ^{23/64}		2 ^{21/64}



Performance Graph



Part List				
Model	Premium Range		Classic Range	
	81,82 & 83	84	81C, 82C, & 83C	84C
Part No	Part Name			
1	Logo Cap	Logo Cap	Logo Cap	Logo Cap
2	Allen Screw	Hex Bolt	Allen bolt	Hex Nut
3	Handle	Handle	Handle	Handle
4	Screw	CSK Bolt	CSK Screw	CSK Screw
5	Clutch plate	Clutch Plate	Clutch plate	Handle guider
6	Big Bush	Big Bush	Big Bush	Big Bush
7	Sleeve	Handle Guider	Shaft	Shaft
8	Shaft	Shaft	Body	Body
9	Body	Body	Disc	Disc
10	Disc	Disc	Seal	Seal
11	Seal	Seal	Small Shaft	Locking Bush
12	Small shaft	Locking Bush	Base Plate	
13	Base plate			

